

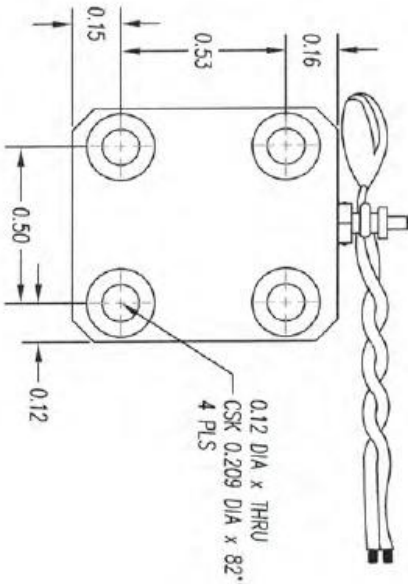
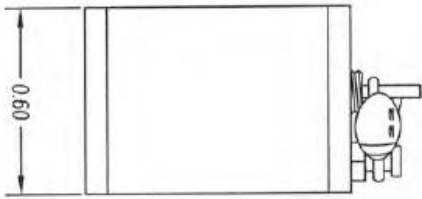
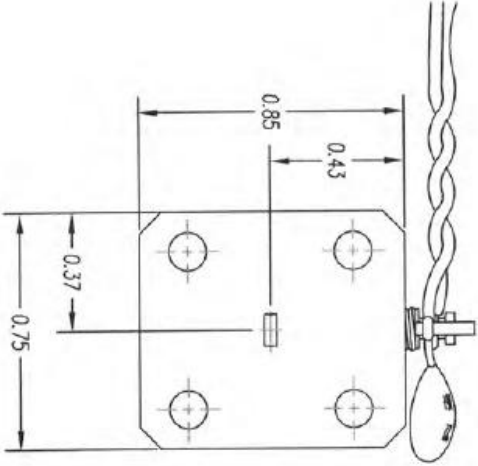
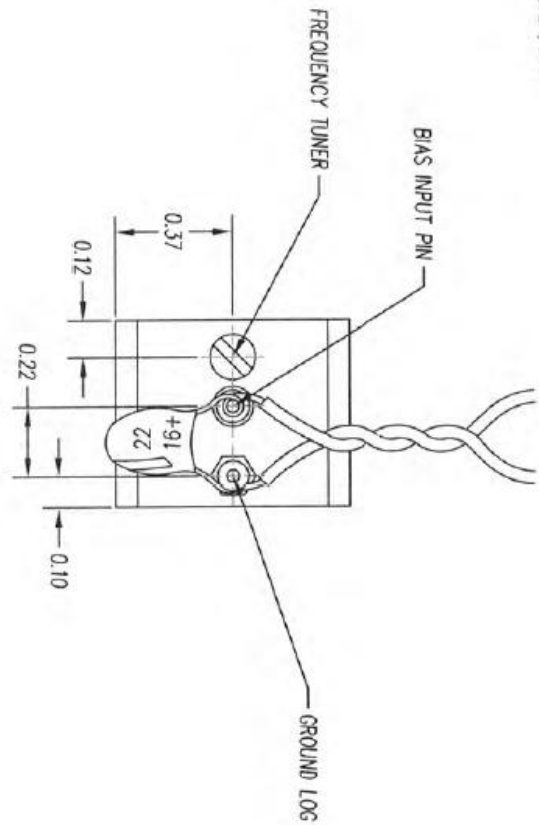


ELHYTE

1, rue du ruisseau blanc
CS 63003- 91620 NOZAY
France

Tél : +33 (0) 1 69 01 68 51
Fax : +33 (0) 1 41 30 89 84
E-mail: commercial@elhyte.fr

COPYRIGHT © 2011 by SAGE MILLIMETER, INC.



REVISIONS		
REV.	DESCRIPTION	DATE

SAGE MILLIMETER, INC.
CONTROLLED
SIGN: *[Signature]* DATE: 3/16/2012
COMPANY PROPRIETARY

THIS DOCUMENT MAY CONTAIN INFORMATION PROPRIETARY TO SAGE MILLIMETER INC. NEITHER RECEIPT NOR POSSESSION THEREOF CONFERES ANY RIGHTS TO REPRODUCE, OR USE, OR DISCLOSE, IN WHOLE OR IN PART, ANY SUCH INFORMATION WITHOUT WRITTEN AUTHORIZATION FROM SAGE MILLIMETER, INC.

HOLE SIZE DECIMALS ANGLE	+.0002/ .XXX 0.01 .XXX .001 +0.1° / -0.1°	PROJECTION THIRD ANGLE	
FINISH	52	APPROVALS	DATE
MATERIAL	Verobase	DSN	DATE
SURFACE TREATMENT	Clear Film	DRY	DATE
DO NOT SCALE DRAWING	0.1	CHK	DATE
Sage Millimeter, Inc. 3043 Karshiva Street, Torrance, CA 90505		SIZE	SCALE
WR-28, Outline Volume Production Oscillators		0.4	2:1
REV. 1.0		DWG. NO.	SHEET
		OL-A1	1 OF 1