



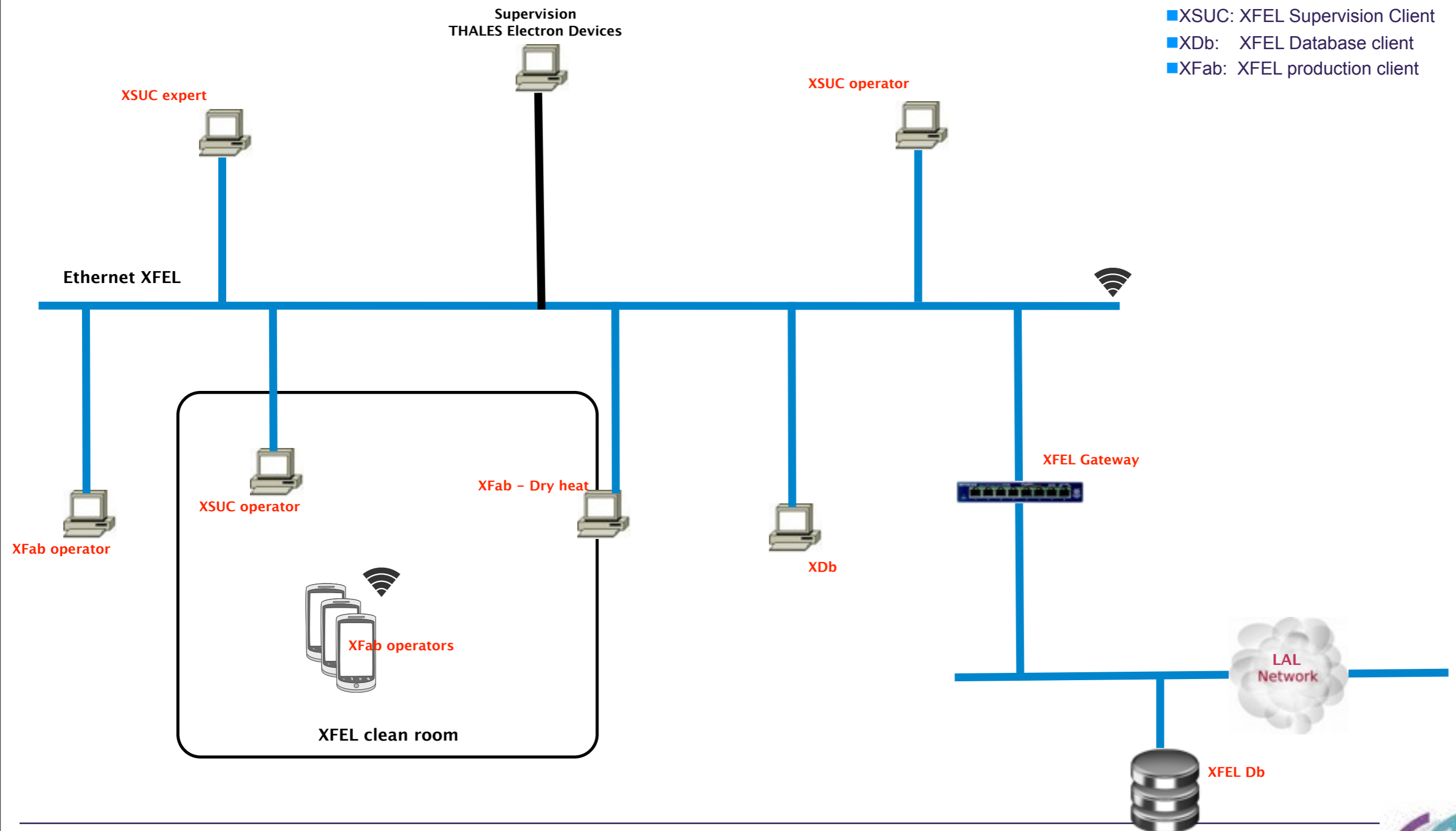
XFEL LAL computing

LAL - IT

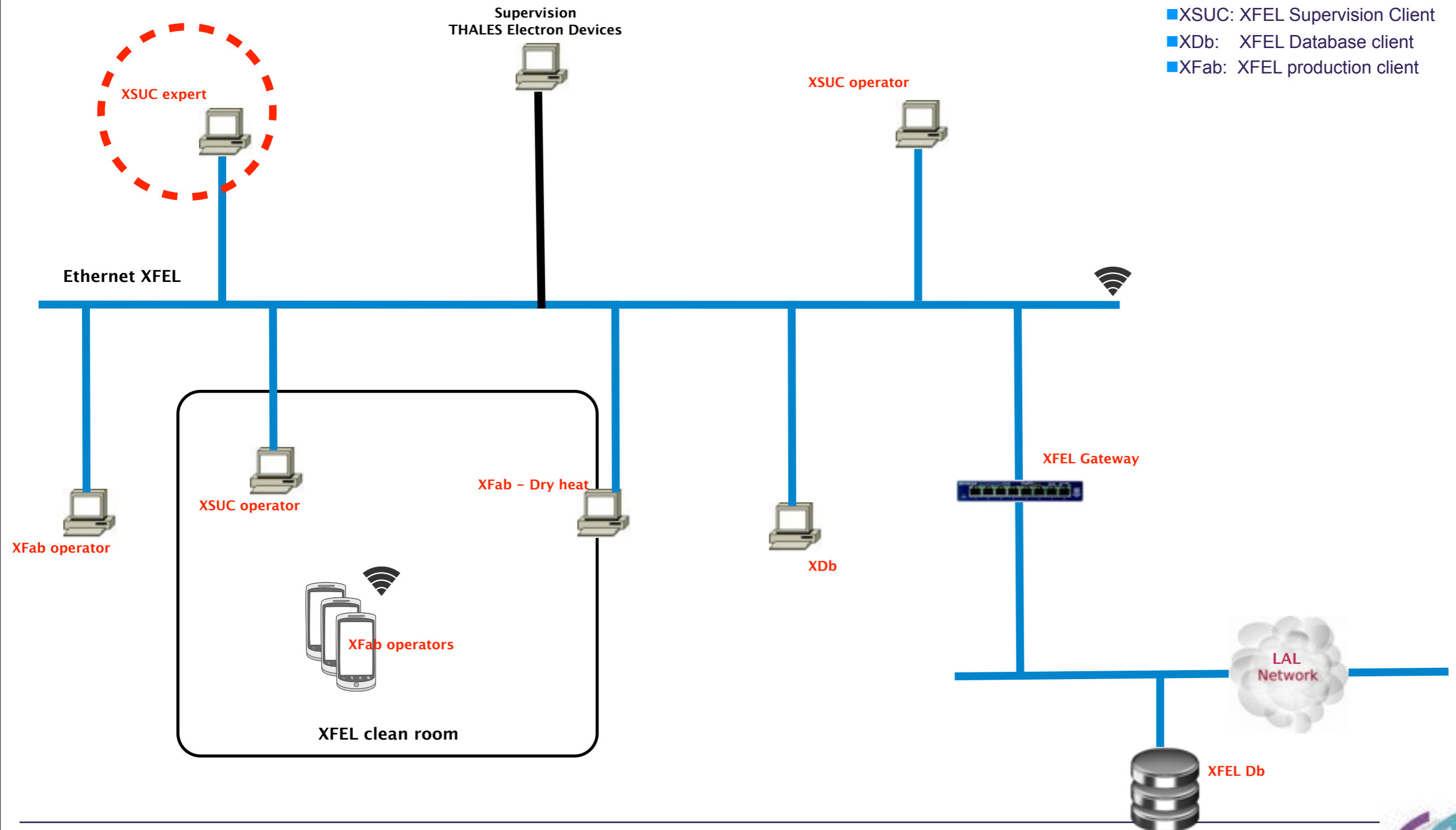
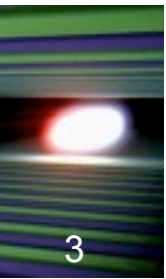
XFEL Software Architecture



- XSUC: XFEL Supervision Client
- XDb: XFEL Database client
- XFab: XFEL production client



XFEL Software Architecture



XSUC expert



Modbusfg - [Modbus1]

File View Window Help

Device: 1 192.168.0.15:502

693 Errors=0 1.00(Up./s)

Read Function: Holding Registers
Address: 0 Quantity: 10 [Read]

Write Function: Single Register
Index: 0
Address: 0 Value: 0 [Write]
Quantity: 10

Data Type: signed - 16

Ok

Poling: Enable
Interval(ms): 1000

interlock:
Eil 0
Nl 0
Nl_stat 0
P_last(dBm) 0
N_last 0
dPi(dB) 0.2

ste...	Ln	parameters			
		[us]	[mn]	[mn]	[dBm]
1	0	360	360	250	100
2	0	600	600	350	200
3	0	720	720	450	300
4	0	810	810	550	400
5	0	900	900	650	500
6	0	1020	1020	750	600
7	0	1140	1380	850	700
8	0	1260	1500	950	800
9	0	1380	0	1050	900
10	0	1500	0	1150	1000
11	0	1650	0	1250	1100
12	0	1860	0	1350	1200

Name	value
V2	0
V3	0
V4	0
V5	0
V6	0
V7	0
V8	0
V9	0
V10	0
V11	0
V12	0

MODE: STOP

Power level/wait: dp(min) 33, dt(sec) 15, dP(dB) 0.1, dPsec(dB) -4

Vacuum level (10-7mbar): SVd 2, SVin 1, SV1 4, SV2 8

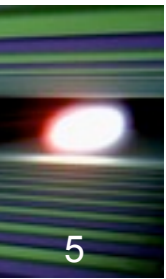
CONDITIONNING:

Stat_C	1a		1b		2a		2b		3a		3b		4a		4b		
	1	2	3	4	5	6	7	8	9	10	11	12	13	14	15	16	1789
Num_C	1664	11	12	1515	14	15	16	1789									
Temp_cond	0	0	0	0	0	0	0	0	0	0	0	0	0	0	0	0	0

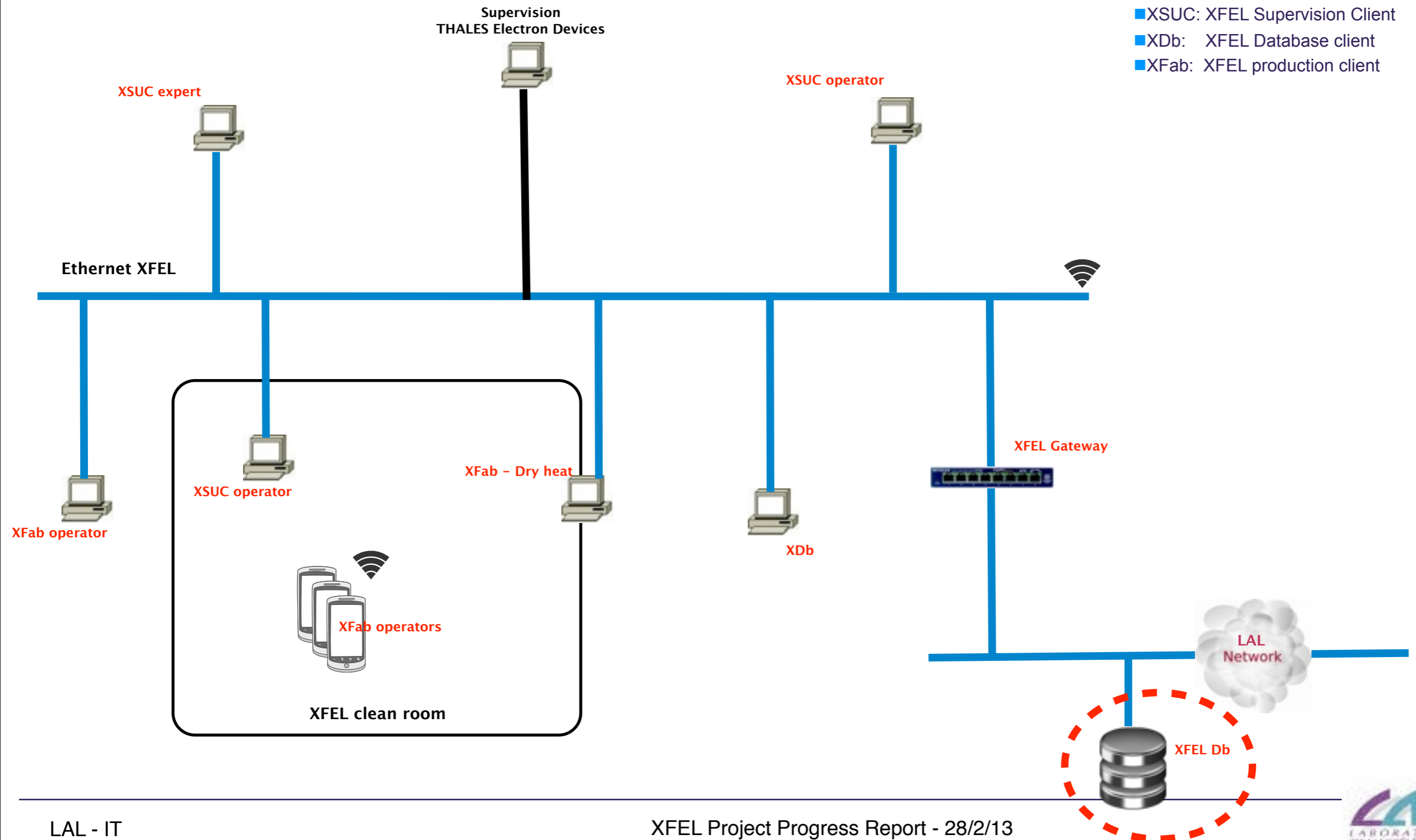
status: STOP, N_Seqcond: 4, DateD: 9-1-2013, HeureD: 16:25:36

Ready

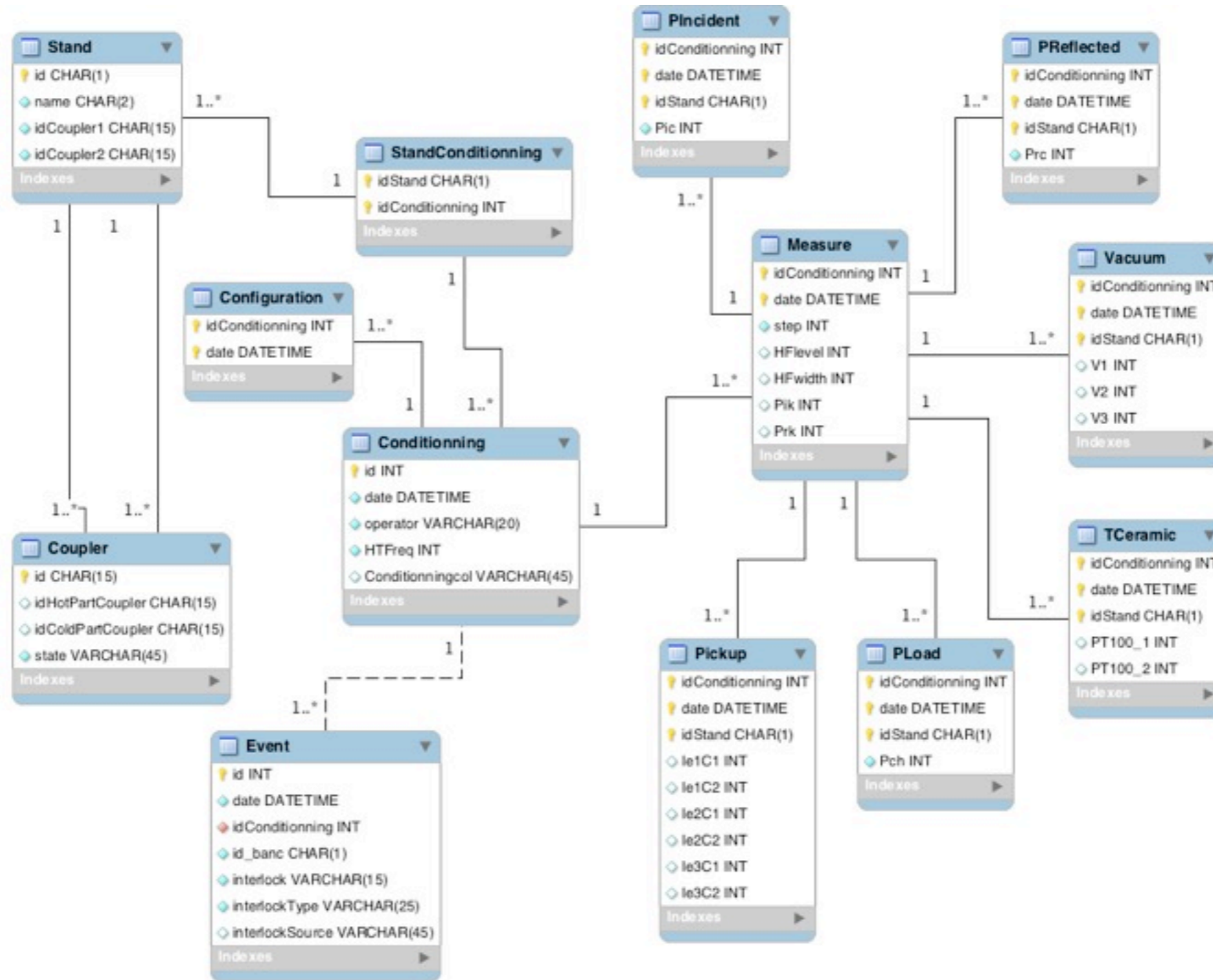
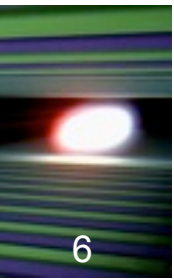
XFEL Software Architecture



- XSUC: XFEL Supervision Client
- XDb: XFEL Database client
- XFab: XFEL production client



XDb: conditioning schema



XFab: process schema

